

PLANS FOR :

CITY OF PIEDMONT

OAKLAND AVENUE BULB-OUTS AND

NOVA/MAGNOLIA ISLAND PROJECT

SEPTEMBER 2023

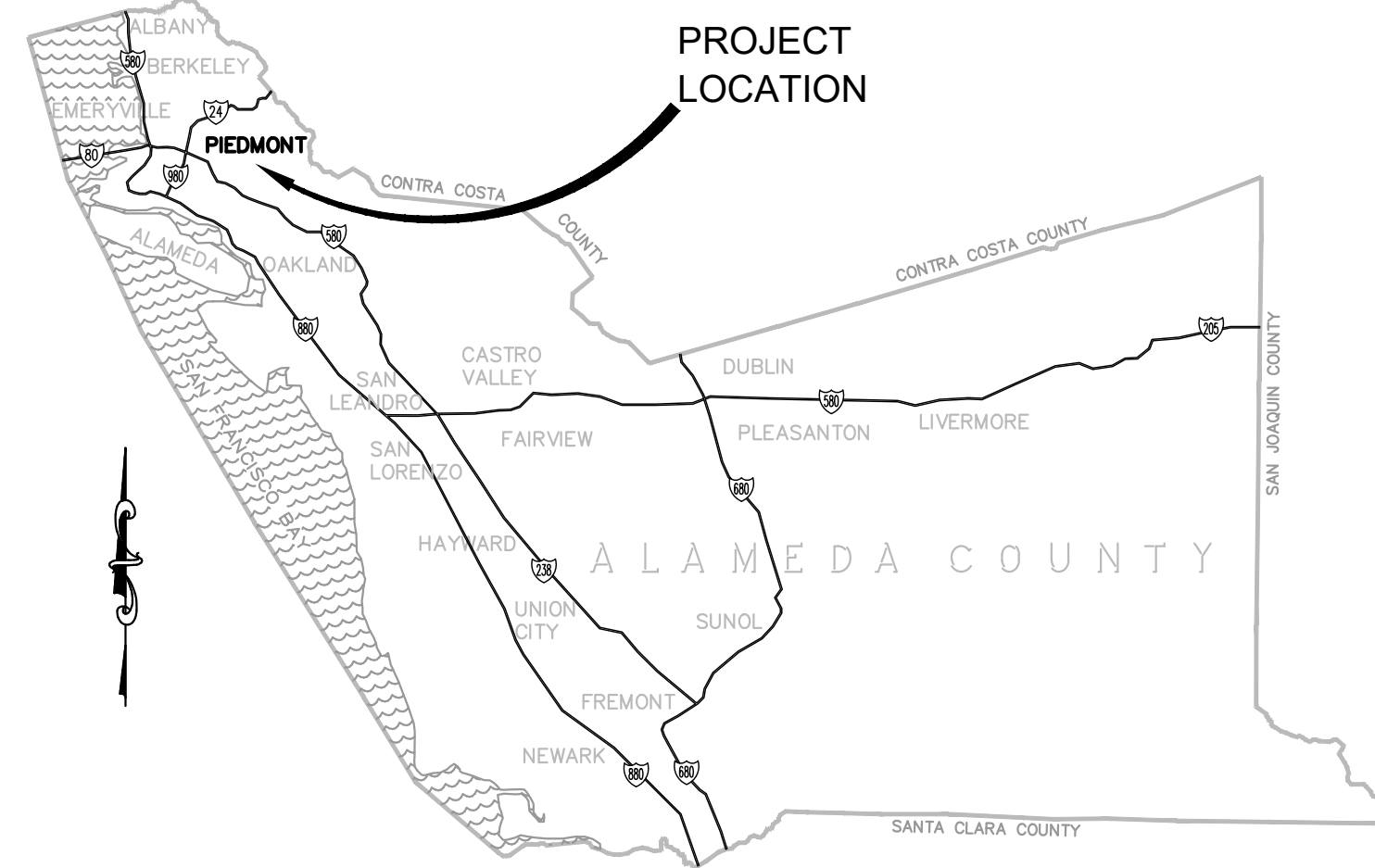
FOR THE

CITY OF PIEDMONT

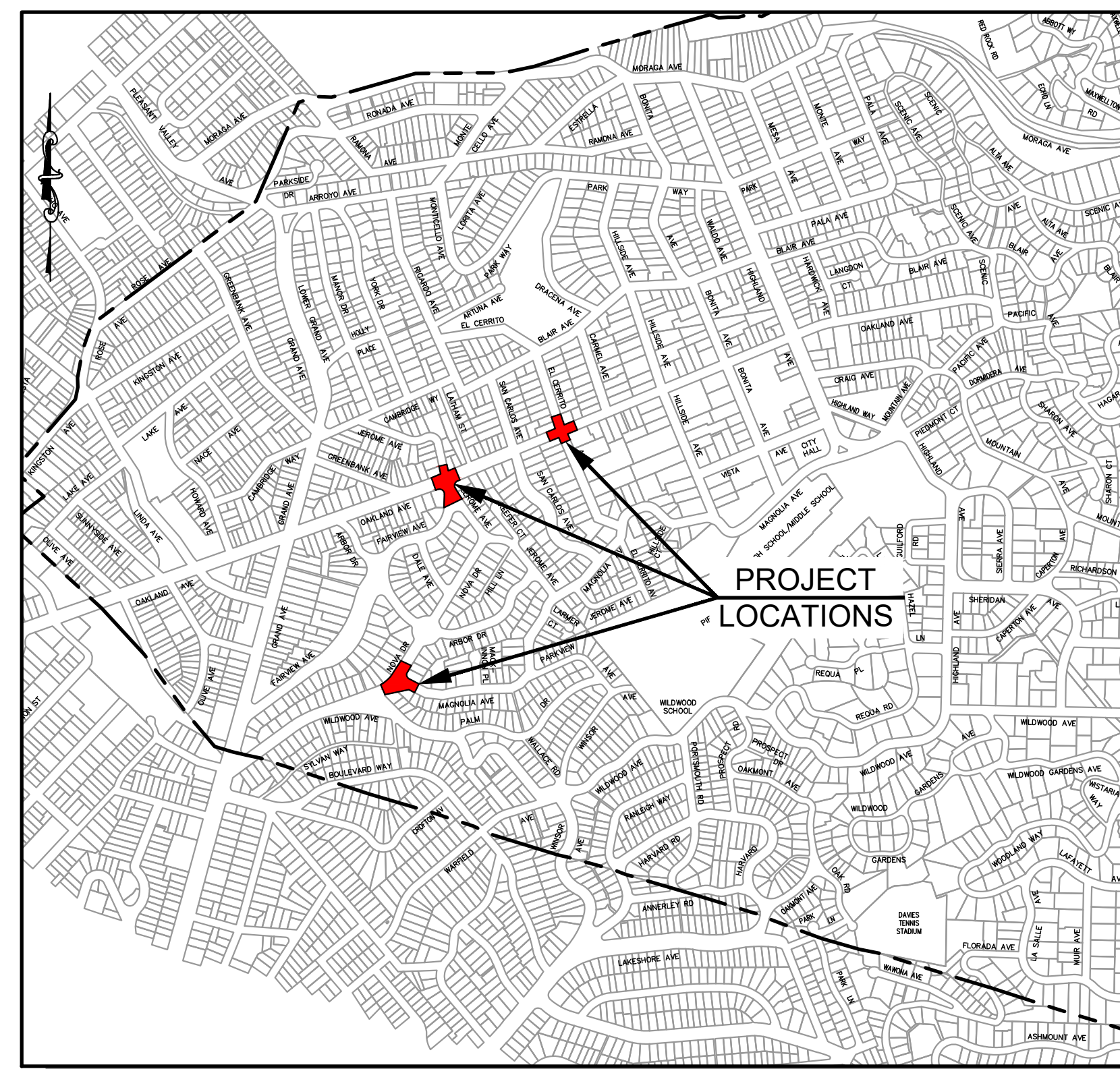
ALAMEDA COUNTY, CALIFORNIA

FOR REDUCED PLANS, THE ORIGINAL SCALE IS IN INCHES

DATE: 09/19/2023 11:58 AM



AREA MAP
NOT TO SCALE



LOCATION MAP
NOT TO SCALE

INDEX OF SHEETS

- No. Sheet Title
- 1 TITLE SHEET
- 2 ABBREVIATIONS, LEGEND AND GENERAL NOTES
- 3 OAKLAND AVE AT JEROME AVE – DEMOLITION PLAN
- 4 OAKLAND AVE AT JEROME AVE – SITE PLAN
- 5 OAKLAND AVE AT JEROME AVE – FINISH GRADING PLAN – NORTH
- 6 OAKLAND AVE AT JEROME AVE – FINISH GRADING PLAN – SOUTH
- 7 OAKLAND AVE AT EL CERRITO AVE – DEMOLITION PLAN
- 8 OAKLAND AVE AT EL CERRITO AVE – SITE PLAN
- 9 OAKLAND AVE AT EL CERRITO AVE – FINISH GRADING PLAN – NORTH
- 10 OAKLAND AVE AT EL CERRITO AVE – FINISH GRADING PLAN – SOUTH
- 11 MAGNOLIA AVE AT NOVA DR – DEMOLITION PLAN
- 12 MAGNOLIA AVE AT NOVA DR – SITE PLAN
- 13 MAGNOLIA AVE AT NOVA DR – GRADING PLAN
- 14 OAKLAND AVE AT JEROME AVE STRIPING PLAN
- 15 OAKLAND AVE AT EL CERRITO AVE STRIPING PLAN
- 16 MAGNOLIA AVE AT NOVA DR – STRIPING PLAN PLAN
- 17 CONSTRUCTION DETAILS
- 18 SURVEY CONTROL

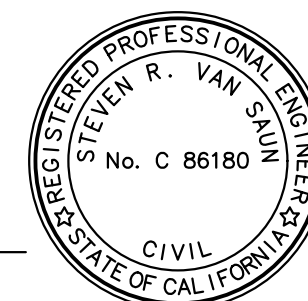
UTILITY CONTACTS

- CITY OF PIEDMONT**
NICK MILLOSOVICH (510) 420-3065
- AT&T**
ALICE CHEN (510) 727-4088
- PG & E**
NICK ESLINGER (510) 437-2039
- EBMUD**
MARC CARRADINE (510) 986-7692
SOUTH AREA SUPT. (510) 287-0837
- COMCAST (CABLECOM)**
FRED BOYD (925) 383-6507

COASTLAND | DCCM

COASTLAND | DCCM
1400 Neotomas Avenue
Santa Rosa, CA 95405
707.571.8005 | coastlandcivil.com

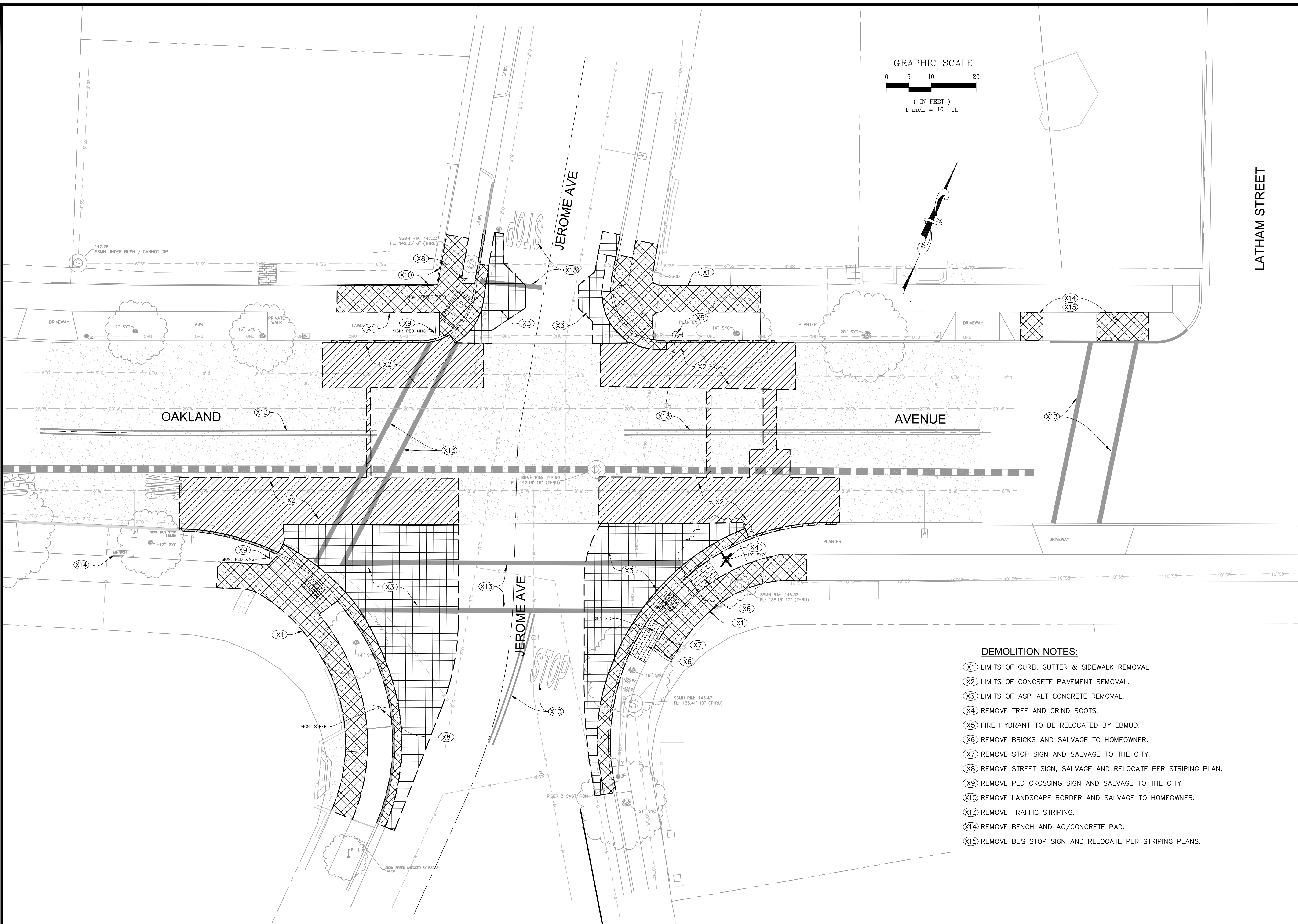
SRV
STEVEN R. VAN SAUN, RCE 86180
DATE 09/19/2023



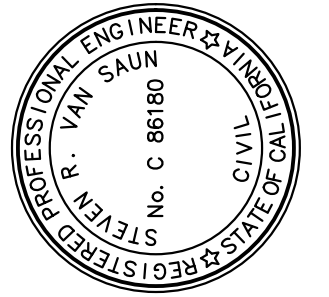
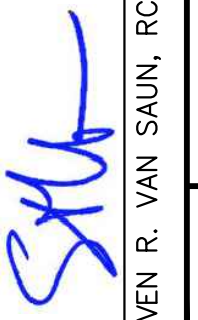
CITY OF PIEDMONT APPROVED JOHN L. WANGER CITY ENGINEER	PROJECT NUMBER 13-4026
	DRAWING DATE SEPTEMBER 2023
	DRAWING NUMBER 1 OF 18

OAKLAND AVENUE BULB-OUTS AND NOVAMAGNOLIA ISLAND PROJECT

1
 2
 3
 FOR REDUCED PLANS, THE ORIGINAL PLOT DATE:

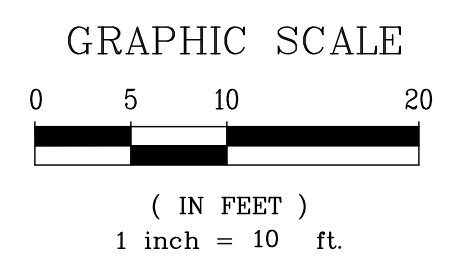
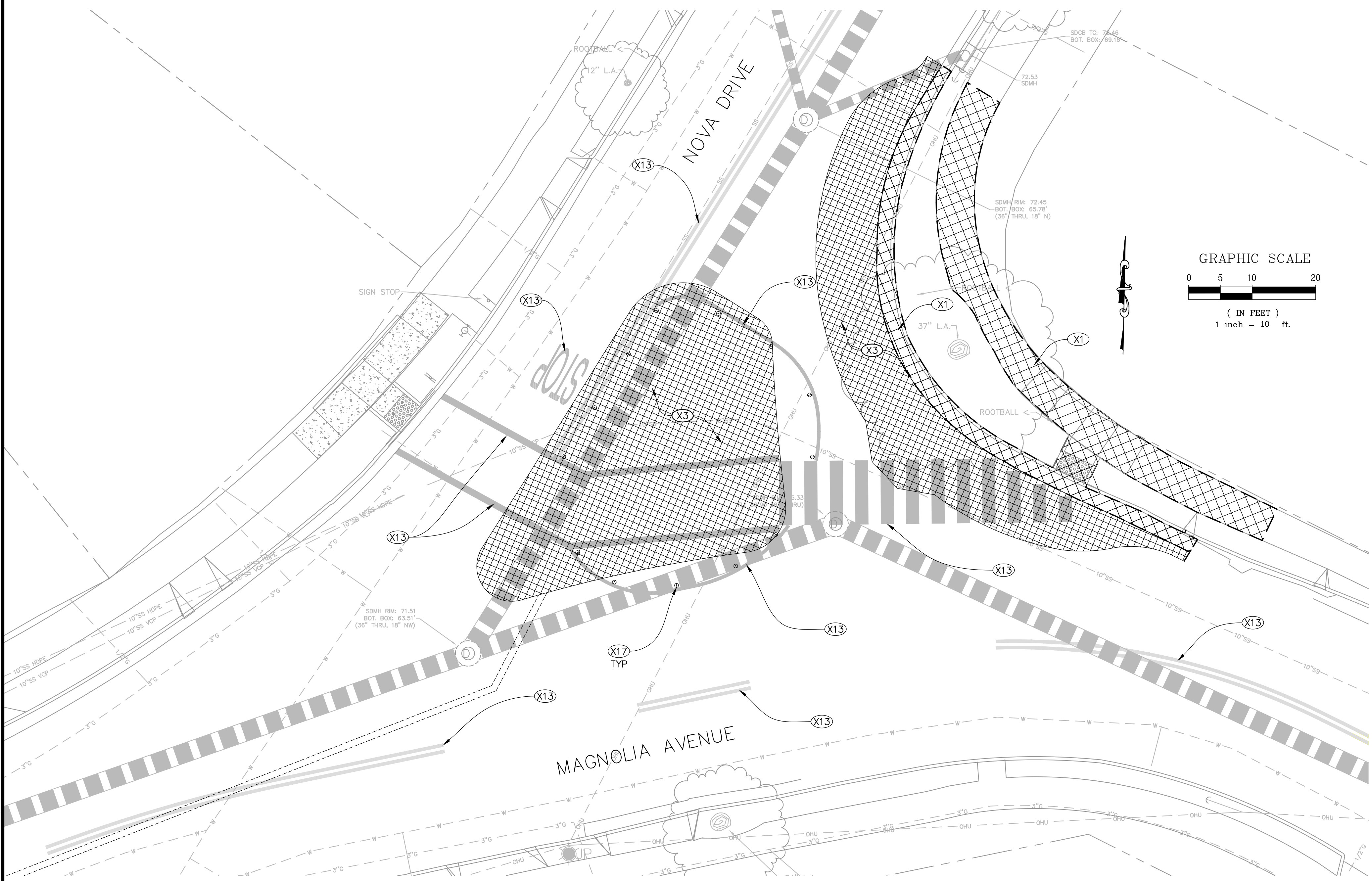


- DEMOLITION NOTES:**
- (X1) LIMITS OF CURB, GUTTER & SIDEWALK REMOVAL.
 - (X2) LIMITS OF CONCRETE PAVEMENT REMOVAL.
 - (X3) LIMITS OF ASPHALT CONCRETE REMOVAL.
 - (X4) REMOVE TREE AND GRIND ROOTS.
 - (X5) FIRE HYDRANT TO BE RELOCATED BY EBMUD.
 - (X6) REMOVE BRICKS AND SALVAGE TO HOMEOWNER.
 - (X7) REMOVE STOP SIGN AND SALVAGE TO THE CITY.
 - (X8) REMOVE STREET SIGN, SALVAGE AND RELOCATE PER STRIPING PLAN.
 - (X9) REMOVE PED CROSSING SIGN AND SALVAGE TO THE CITY.
 - (X10) REMOVE LANDSCAPE BORDER AND SALVAGE TO HOMEOWNER.
 - (X13) REMOVE TRAFFIC STRIPING.
 - (X14) REMOVE BENCH AND AC/CONCRETE PAD.
 - (X15) REMOVE BUS STOP SIGN AND RELOCATE PER STRIPING PLANS.

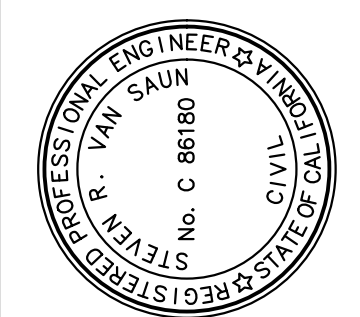
	PREPARED UNDER THE DIRECTION OF  STEVEN R. VAN SAUN, RCE 86180 DATE 09/19/2023 DESIGNED BY WJK DRAWN BY WJK REVIEWED BY WJK SRV
COASTLAND DCCM COASTLAND DCCM 1400 Neotomas Avenue Santa Rosa, CA 95405 707.571.8005 coastlandcivil.com	CALIFORNIA OAKLAND AVE AT JEROME AVE DEMOLITION PLAN
PROJECT NUMBER 13-4026	DRAWING DATE SEPTEMBER 2023
SHEET NUMBER 3 OF 18	


Xref: CCE-ENGINEERS STAMPS ONLY.dwg; CCE-ENGINEERS NAMES ONLY.dwg; 133954-TP-MAGNOLIA.DWG; Piedmont-CIS baseop-MAGNOLIA.dwg; Piedmont-CIS project-MAGNOLIA.dwg; PEANS-HIGHWAY.dwg; CCE-ENGINEERS STAMPS-PLAN.dwg; 134519-TP.dwg; 134519-TP.dwg; 134519-TP2.dwg
 images: SYS_Signature-blue.jpg; R1_Signature-blue-2.25 INCHES.jpg
 Path: F:\Civil_3D_Projects\134026-Cobaltia_Ave_Bulbouts\DWG\134026-NOVA_MAGNOLIA_SP.dwg; Layout Name: SHT 11 SITE (DEM) Plot Date: Sep 19 2023 ORIGINAL SCALE IS IN INCHES

ORIGINAL PLOT DATE:



- DEMOLITION NOTES:**
- (X1) LIMITS OF CURB, GUTTER & SIDEWALK REMOVAL.
 - (X3) LIMITS OF ASPHALT CONCRETE REMOVAL.
 - (X13) REMOVE TRAFFIC STRIPING.
 - (X17) REMOVE EXISTING BOLLARDS.



PREPARED UNDER THE DIRECTION OF

 STEVEN R. VAN SAUN, RCE 86180 DATE 09/19/2023
 DESIGNED BY WJK DRAWN BY WJK REVIEWED BY SRV

COASTLAND | DCCM
 COASTLAND | DCCM
 1400 Neotomas Avenue
 Santa Rosa, CA 95405
 707.571.8005 | coastlandcivil.com

CALIFORNIA
 OAKLAND AVENUE BULB-OUTS AND
 NOVAMAGNOLIA ISLAND PROJECT
 MAGNOLIA AVE AT NOVA DR
 DEMOLITION PLAN
 PIEDMONT

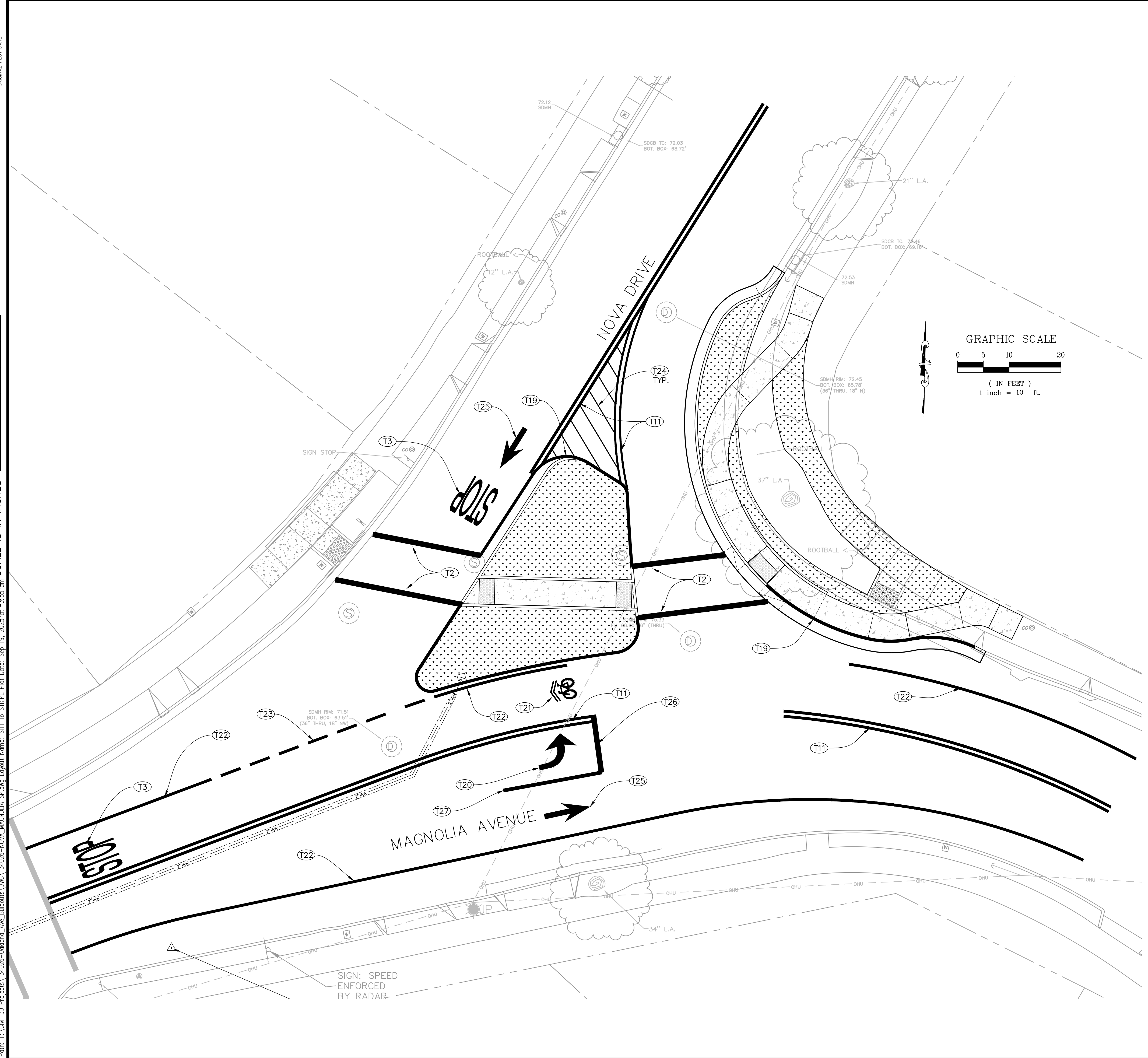
PROJECT NUMBER
 13-4026

DRAWING DATE
 SEPTEMBER 2023

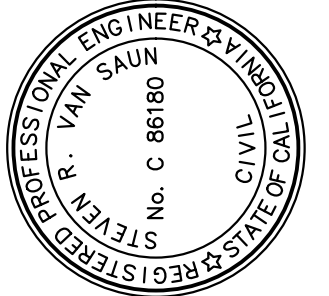
SHEET NUMBER
 11 OF 18

Xref: CCE-ENGINEERS STAMPS ONLY.dwg; CCE-ENGINEERS NAMES ONLY.dwg; 133954-TP-MAGNOLIA.DWG; Piedmont-GIS baseop-MAGNOLIA.dwg; Piedmont-GIS PROJECT-NOVA.DWG; PLEANS-HIGHWAY-NOVA.dwg; CCE-ENGINEERS STAMPS-PLAN.dwg; 134519-TP.dwg; 134519-TP.dwg; 134519-TP.dwg
 images: SYS_Signature-blue.jpg; SYS_Signature-blue-2.25 INCHES.jpg
 Path: F:\Civil_3D_Projects\134026-Cobalt\Ave_Bulbouts\NOVA_MAGNOLIA_SP.dwg; Layout Name: SHT 16 STRIPE Plot Date: Sep 19, 2023 ORIGINAL SCALE IS IN INCHES

ORIGINAL PLOT DATE:



- CONSTRUCTION NOTES:**
- (T2) INSTALL WHITE 12" THERMOPLASTIC BASIC CROSSWALK STRIPE PER CALTRANS STD. PLAN A24F.
 - (T3) INSTALL WHITE THERMOPLASTIC "STOP" LEGEND PER CALTRANS STD. PLAN A24D.
 - (T7) INSTALL R1-5L YIELD HERE TO PEDESTRIANS SIGN ON NEW POST PER CITY STD DETAIL 116.
 - (T11) INSTALL THERMOPLASTIC DOUBLE YELLOW-NO PASSING LINES DETAIL 22 PER CALTRANS STD. PLAN A20A.
 - (T18) INSTALL RELOCATED BUS STOP SIGN ON NEW POST.
 - (T19) PAINT CURB WHITE AND INSTALL TYPE D TWO-WAY RETROREFLECTIVE TRAFFIC MARKERS AT 2-FT ON CENTER MAXIMUM SPACING.
 - (T20) INSTALL TYPE IV (L) WHITE THERMOPLASTIC ARROW PER CALTRANS STD. PLAN A24A.
 - (T21) INSTALL WHITE THERMOPLASTIC SHARED PAVEMENT MARKER PER CALTRANS STD. PLAN A24C.
 - (T22) INSTALL THERMOPLASTIC 4" WHITE RIGHT EDGE LINE DETAIL 27B PER CALTRANS STD. A20B.
 - (T23) INSTALL THERMOPLASTIC 4" WHITE INTERSECTION LINE DETAIL 40 PER CALTRANS STD. A20D.
 - (T24) INSTALL 4" WHITE PAINTED LINE SPACED AT 3' O.C.
 - (T25) INSTALL TYPE I 10' WHITE THERMOPLASTIC ARROW PER CALTRANS STD. PLAN A24A.
 - (T26) INSTALL WHITE 12" THERMOPLASTIC LIMIT LINE STRIPE PER CALTRANS STD. PLAN A24E.
 - (T27) INSTALL 8" WHITE PAINTED LINE.



PREPARED UNDER THE DIRECTION OF
 DESIGNED BY: WJK
 DRAWN BY: WJK
 REVIEWED BY: SRV
 DATE: 09/19/2023
 STEVEN R. VAN SAUN, RCE 86180

COASTLAND | DCCM
 COASTLAND | DCCM
 1400 Neotomas Avenue
 Santa Rosa, CA 95405
 707.571.8005 | coastlandcivil.com

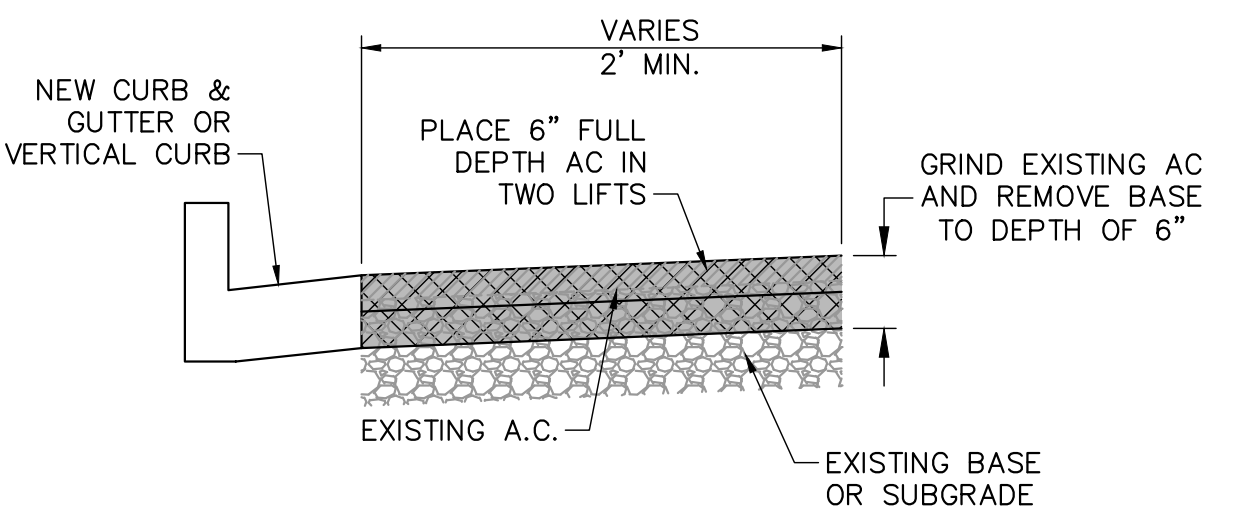
CALIFORNIA
 OAKLAND AVENUE BULB-OUTS AND
 NOVAMAGNOLIA ISLAND PROJECT
 MAGNOLIA AVE AT NOVA DR
 STRIPING PLAN

PROJECT NUMBER
 13-4026
 DRAWING DATE
 SEPTEMBER 2023
 SHEET NUMBER
 16 OF 18

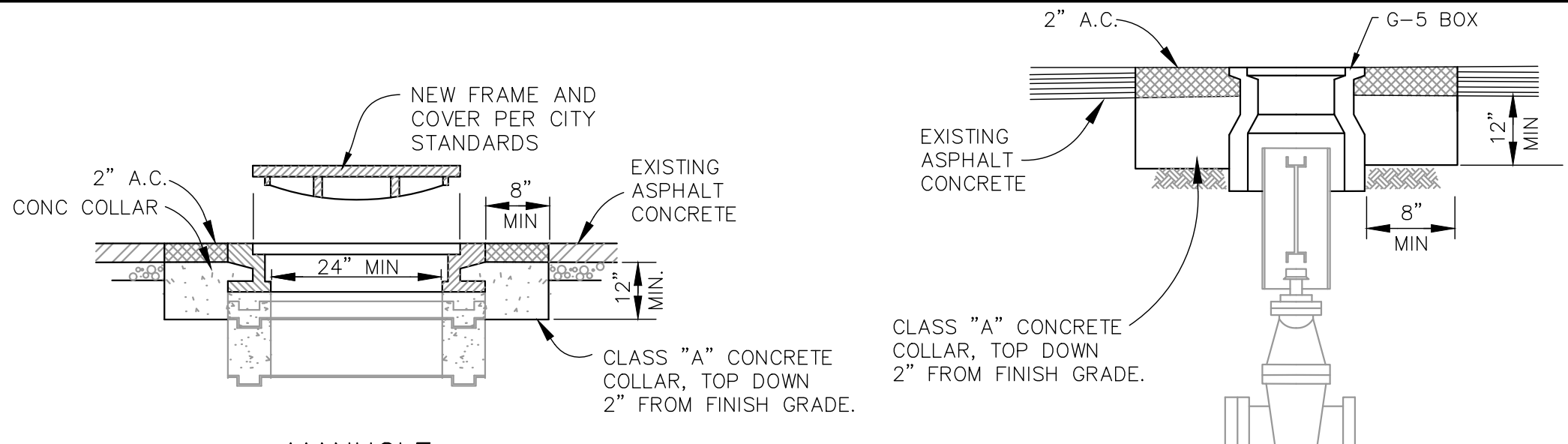
ORIGINAL PLOT DATE:

FOR REDUCED PLANS, THE ORIGINAL SCALE IS IN INCHES

Images: ON: onker.jpg; Piedmont: 2015; Bp: Bp; Signature: blue; Xref: Piedmont-CIS; basemap: onker; COE-ENGINEERS STAMPS-PLAN; onker; COE-ENGINEERS STAMPS-COVER; onker; Path: E:\C:\30\Projects\144026-oakland-ave-bulbouts\DWG\144026_cov.dwg; Layout: Name: S11-17; Plot Date: Sep 19, 2023 at 10:58

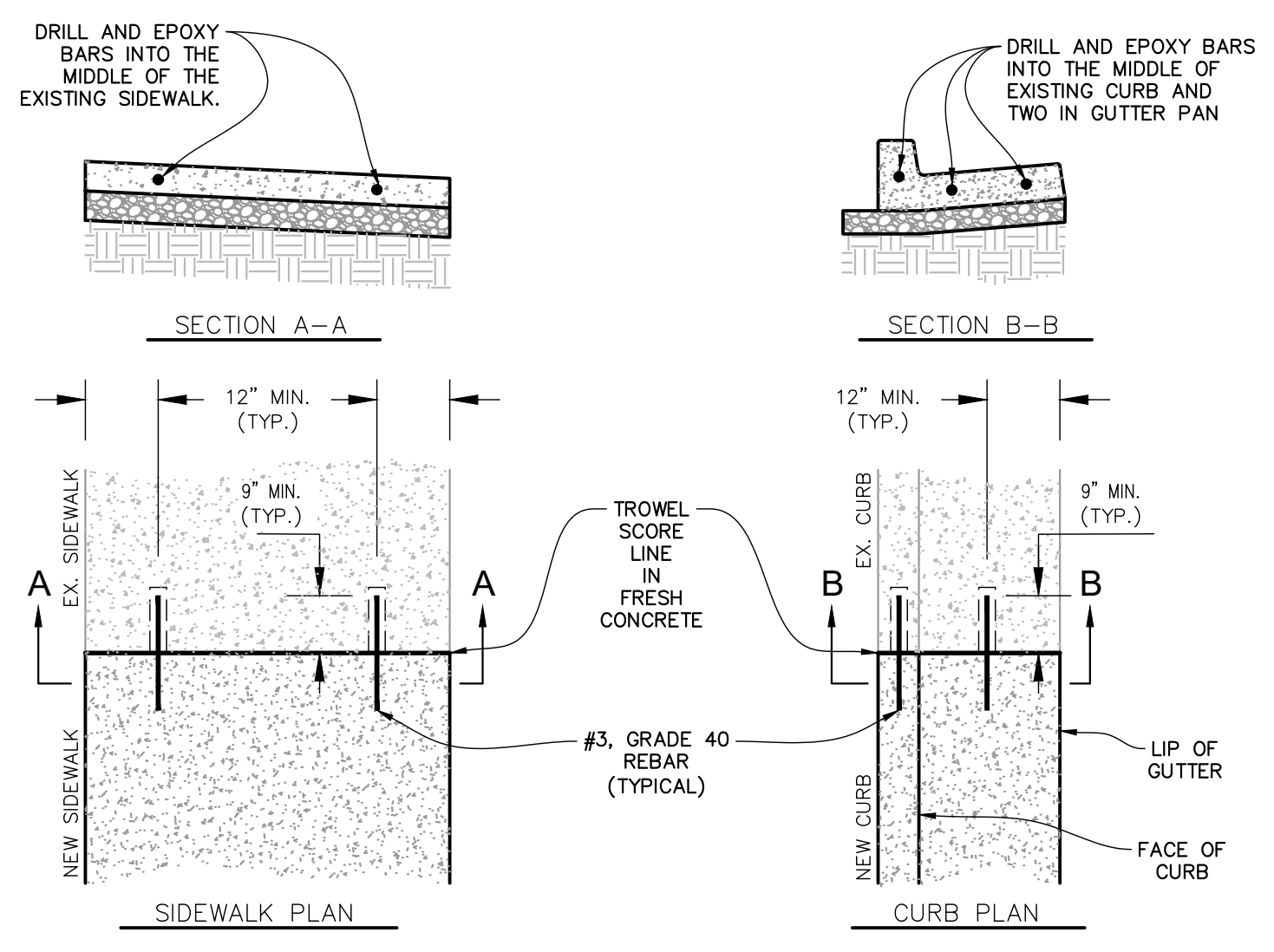


ASPHALT CONCRETE CONFORM DETAIL 1
NOT TO SCALE



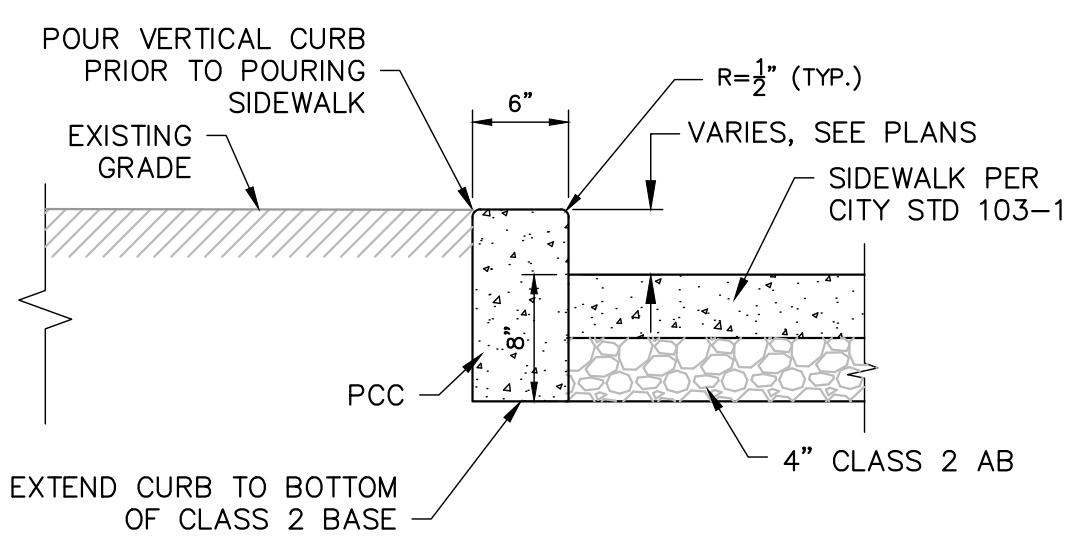
MANHOLE
VALVE

ADJUST TO GRADE EXISTING STREET APPURTENANCES 4
NOT TO SCALE

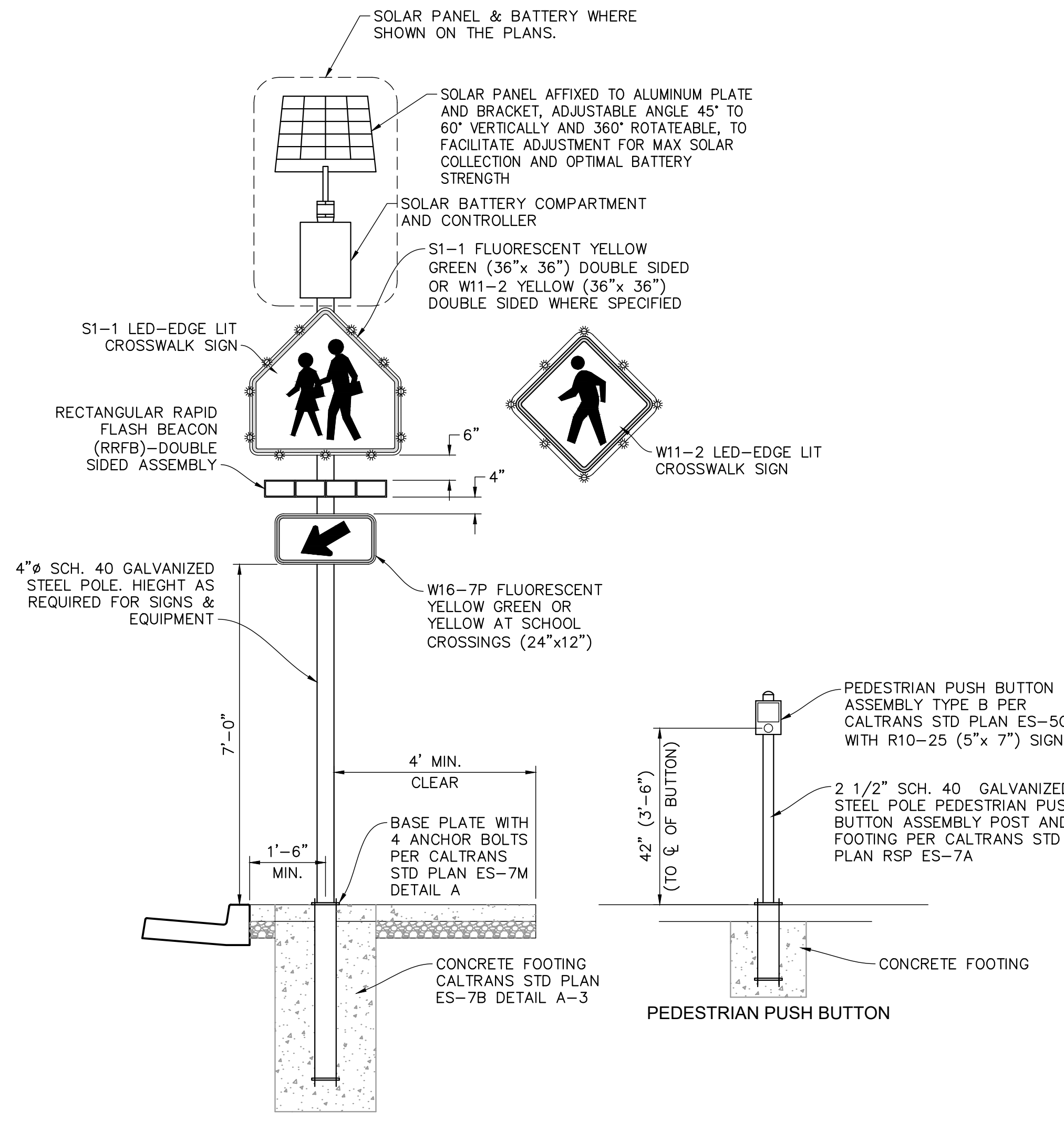


- NOTES:**
- CURB AND GUTTER AND SIDEWALK CONSTRUCTION SHALL CONFORM TO CITY STANDARD 101 & 103-1.
 - ALL SOFT OR SPONGY SUB-GRADE MATERIAL SHALL BE REMOVED AND REPLACED WITH SUITABLE MATERIAL AS REQUIRED BY THE ENGINEER.
 - REINFORCING BARS SHALL BE MINIMUM GRADE 40 AND SHALL CONFORM TO SECTION 52, 'REINFORCEMENT' OF THE CALTRANS STANDARD SPECIFICATIONS.
 - EPOXY USED FOR BONDING REINFORCING BARS TO EXISTING CONCRETE SHALL CONFORM TO THE REQUIREMENTS OF SECTION 95, EPOXY AND SECTION 95-2.0.3, 'EPOXY RESIN ADHESIVE FOR BONDING NEW CONCRETE TO OLD CONCRETE' OF THE CALTRANS STANDARD SPECIFICATIONS.
 - SIDEWALK SHALL BE SAWCUT AND REMOVED TO THE NEAREST CONTROL JOINT (SCORE, EXPANSION OR WEAKENED PLANE JOINT). CURB AND GUTTER SHALL BE SAWCUT AND REMOVED TO THE NEAREST CONTROL JOINT WHEN PRACTICAL AS DIRECTED BY THE ENGINEER.

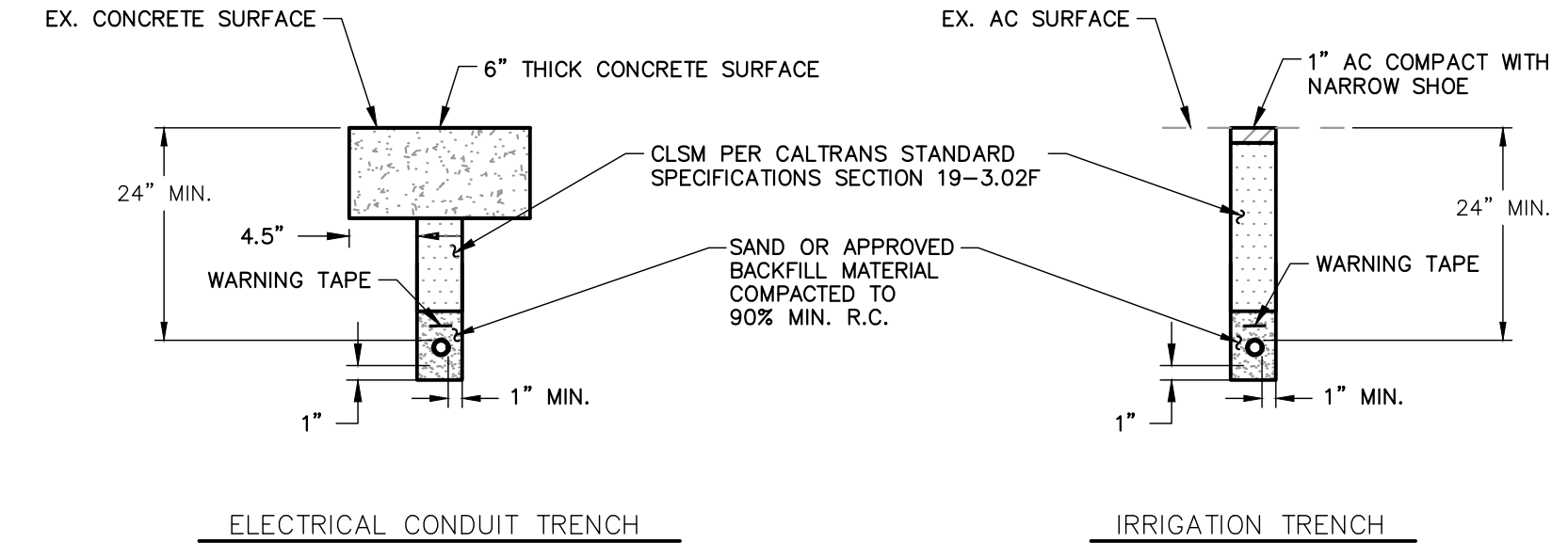
SIDEWALK, CURB AND GUTTER REPLACEMENT DETAILS 2
NOT TO SCALE



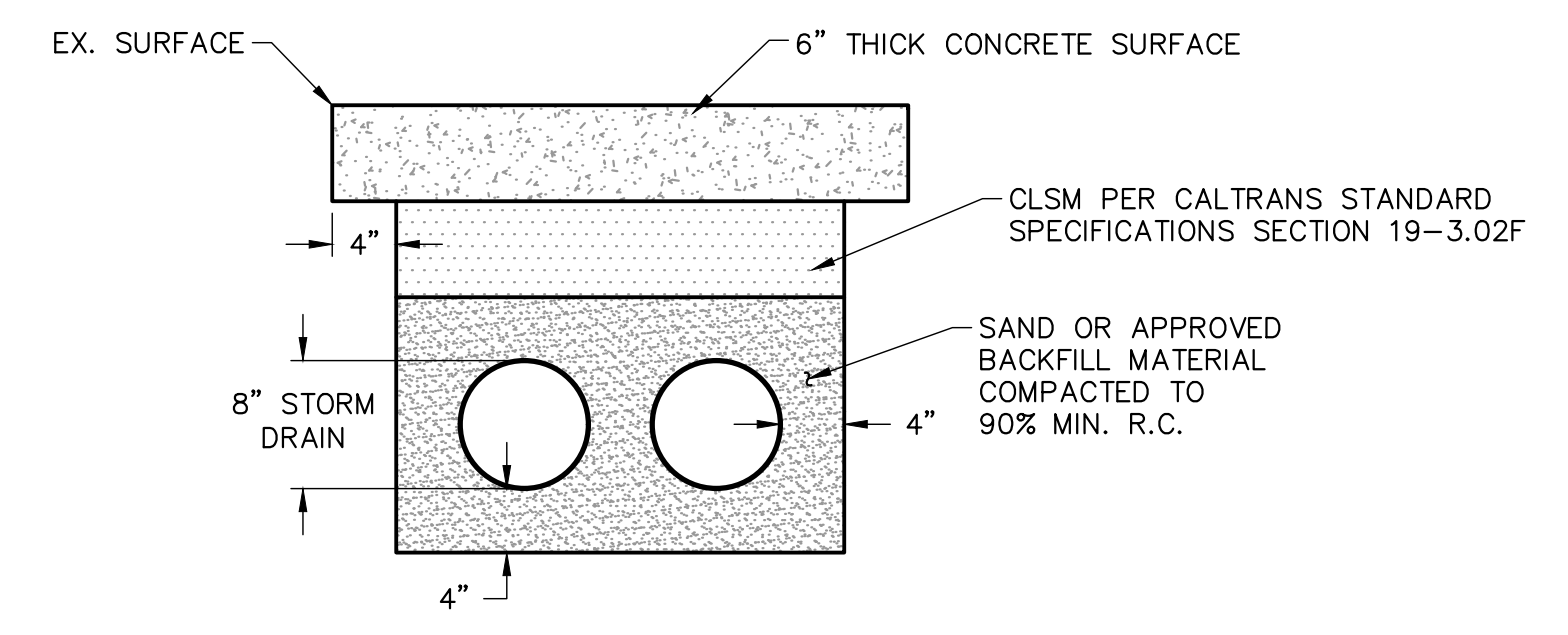
VERTICAL CURB AT SIDEWALK DETAIL 3
NOT TO SCALE



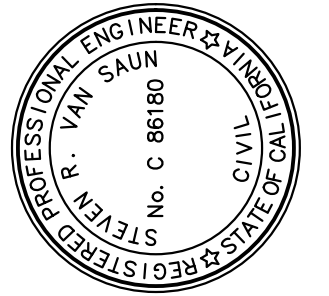
ENHANCED CROSSWALK SIGNAGE SYSTEM 5
NOT TO SCALE



3 INCH AND SMALLER CONDUIT WHEEL CUT TRENCH 6
NOT TO SCALE



DUAL 8 INCH STORM DRAIN TRENCH 7
NOT TO SCALE



PREPARED UNDER THE DIRECTION OF
 DESIGNED BY: WJK
 DRAWN BY: WJK
 REVIEWED BY: SRV
 DATE: 09/19/2023
 PROJECT: STEVEN R. VAN SAUN, RCE 86180

COASTLAND | DCCM
 COASTLAND | DCCM
 1400 Neotomas Avenue
 Santa Rosa, CA 95405
 707.571.8005 | coastlandcivil.com

CALIFORNIA
 OAKLAND AVENUE BULB-OUTS AND NOVAMAGNOLIA ISLAND PROJECT
 PIEDMONT
CONSTRUCTION DETAILS

PROJECT NUMBER: 13-4026
 DRAWING DATE: SEPTEMBER 2023
 SHEET NUMBER: 17 OF 18

